



PCFY-P-VGM-E

PCFY-P-VGM-E

1. SPECIFICATIONS	IU-H- 2
2. CAPACITY TABLES	
2-1a. Cooling capacity in combination with PUHY,PUY, PURY-P200, 250YGM	IU-H- 3
2-1b. Heating capacity in combination with PUHY, PURY-P200, 250YGM	IU-H- 4
2-2a. Cooling capacity in combination with PUHY,PUY,PURY-P300,350YGM / PUHY,PURY-P400YGM	IU-H- 5
2-2b. Heating capacity in combination with PUHY, PURY-P300, 350, 400YGM	IU-H- 6
2-3a. Cooling capacity in combination with PUHY,PURY-P450, 500, 550, 600, 650YGM	IU-H- 7
2-3b. Heating capacity in combination with PUHY,PURY-P450, 500, 550, 600, 650YGM	IU-H- 8
2-4a. Cooling capacity in combination with PQHY,PQRY-P200,250YGM, PQHY,PQRY-P400,500YSGM	IU-H- 9
2-4b. Heating capacity in combination with PQHY,PQRY-P200,250YGM, PQHY,PQRY-P400,500YSGM	IU-H- 10
2-5a. Cooling capacity in combination with PUMY-P100,125,140YHM	IU-H- 11
2-5b. Heating capacity in combination with PUMY-P100,125,140YHM	IU-H- 12
3. SOUND LEVELS	
3-1. Sound levels	IU-H- 13
3-2. NC curves	IU-H- 13
4. EXTERNAL DIMENSIONS	IU-H- 14
5. ELECTRICAL WIRING DIAGRAMS	IU-H- 15
6. TEMPERATURE/AIRFLOW DISTRIBUTIONS	
6-1. Temperature distributions	IU-H- 16
6-2. Airflow distributions	IU-H- 16

Ceiling suspended	P20	P25	P32	P40	P50	P63	P71	P80	P100	P125	P140	P200	P250
	0.8HP	1.0HP	1.3HP	1.6HP	2.0HP	2.5HP	2.8HP	3.2HP	4.0HP	5.0HP	5.6HP	8.0HP	10.0HP
PCFY-P-VGM-E				●		●			●	●			

1. SPECIFICATIONS

R410A Data G2

Model			PCFY-P40VGM-E	PCFY-P63VGM-E	PCFY-P100VGM-E	PCFY-P125VGM-E				
Power source			1-phase 220-240V 50Hz, 1-phase 220V 60Hz							
Cooling capacity (Nominal)	*1	kW	4.5	7.1	11.2	14.0				
		kcal / h	3,900	6,100	9,600	12,000				
		Btu / h	15,400	24,200	38,200	47,800				
	*2	kcal / h	4,000	6,300	10,000	12,500				
		Power input	kW	0.10	0.13	0.16	0.24			
		Current input	A	0.46	0.60	0.73	1.10			
Heating capacity (Nominal)	*3	kW	5.0	8.0	12.5	16.0				
		kcal / h	4,300	6,900	10,800	13,800				
		Btu / h	17,100	27,300	42,700	54,600				
	Power input	kW	0.10	0.13	0.16	0.24				
		Current input	A	0.46	0.60	0.73	1.10			
External finish			MUNSELL (0.70Y 8.59 / 0.97)							
External dimension H x W x D		mm	210x1,000x680	210x1,310x680	270 x 1,310 x 680	270 x 1,620 x 680				
		in.	8-5/16" x 39-3/8" x 26-13/16"	8-5/16" x 51-5/8" x 26-13/16"	10-11/16" x 51-5/8" x 26-13/16"	10-11/16" x 63-13/16" x 26-13/16"				
Net weight		kg (lb)	27 (60)	34 (75)	37 (82)	43 (95)				
Heat exchanger			Cross fin (Aluminum fin and copper tube)							
FAN	Type x Quantity		Sirocco fan x 2	Sirocco fan x 3	Sirocco fan x 3	Sirocco fan x 4				
	External static press.	Pa	0	0	0	0				
		mmH ₂ O	0	0	0	0				
	Motor type		1-phase induction motor							
	Motor output		kW	0.054	0.070	0.090	0.150			
	Driving mechanism		Direct-driven by motor							
	Airflow rate (Low-Mid-High)	m ³ / min	8 - 10 - 11 - 12	12 - 14 - 16 - 18	18 - 20 - 23 - 25	26 - 28 - 32 - 35				
L / s		133 - 167 - 183 - 200	200 - 233 - 267 - 300	300 - 333 - 383 - 417	433 - 467 - 533 - 583					
	cfm	253 - 353 - 388 - 424	424 - 494 - 565 - 636	636 - 706 - 812 - 883	918 - 989 - 1130 - 1,236					
Noise level (Low-Mid-High) (measured in anechoic room)		dB <A>	29 - 33 - 36 - 38	32 - 34 - 37 - 39	36 - 38 - 41 - 43	37 - 39 - 42 - 44				
Insulation material			Polyester sheet							
Air filter			PP honeycomb (long life)							
Protection device			Fuse							
Refrigerant control device			LEV							
Connectable outdoor unit			R410A, R407C, R22 CITY MULTI							
Diameter of refrigerant pipe	Liquid (R410A) (R22, R407C)	mm (in.)	ø6.35 (ø1/4") Flare	ø9.52 (ø3/8") Flare	ø9.52 (ø3/8") Flare	ø9.52 (ø3/8") Flare				
		Gas (R410A) (R22, R407C)	mm (in.)	ø12.7 (ø1/2") Flare	ø15.88 (ø5/8") Flare	ø15.88 (ø5/8") Flare	ø15.88 (ø5/8") Flare			
		mm (in.)	ø12.7 (ø1/2") Flare	ø15.88 (ø5/8") Flare	ø19.05 (ø3/4") Flare	ø19.05 (ø3/4") Flare				
Diameter of drain pipe		mm (in.)	I.D. ø26(VP-25)							
Drawing	External		IU-RG01-N633	IU-RG01-N633	IU-RG01-N633	IU-RG01-N633				
	Wiring		IU-RG79-Y016	IU-RG79-Y016	IU-RG79-Y016	IU-RG79-Y016				
	Refrigerant cycle		-	-	-	-				
Standard attachment		Document	Installation Manual, Instruction Book							
		Accessory								
Remark		Optional parts								
		Installation	Details on foundation work, duct work, insulation work, electrical wiring, power source switch, and other items shall be referred to the Installation Manual.							
Note : <table border="0" style="width:100%; border-collapse: collapse;"> <tr> <td style="width:33%; vertical-align: top;"> *1 Nominal cooling conditions Indoor : 27°CDB/19°CWB (81°FDB/66°FWB) Outdoor : 35°CDB (95°FDB) Pipe length : 7.5 m (24-9/16 ft) Level difference : 0 m (0 ft) </td> <td style="width:33%; vertical-align: top;"> *2 Nominal cooling conditions 27°CDB/19.5°CWB (81°FDB/67°FWB) 35°CDB (95°FDB) 5 m (16-3/8 ft) 0 m (0 ft) </td> <td style="width:33%; vertical-align: top;"> *3 Nominal heating conditions 20°CDB (68°FDB) 7°CDB/6°CWB (45°FDB/43°FWB) 7.5 m (24-9/16 ft) 0 m (0 ft) </td> <td style="width:15%; vertical-align: top;"> Unit converter kcal/h = kW x 860 Btu/h = kW x 3,412 cfm = m³/min x 35.31 lb = kg / 0.4536 </td> </tr> </table>							*1 Nominal cooling conditions Indoor : 27°CDB/19°CWB (81°FDB/66°FWB) Outdoor : 35°CDB (95°FDB) Pipe length : 7.5 m (24-9/16 ft) Level difference : 0 m (0 ft)	*2 Nominal cooling conditions 27°CDB/19.5°CWB (81°FDB/67°FWB) 35°CDB (95°FDB) 5 m (16-3/8 ft) 0 m (0 ft)	*3 Nominal heating conditions 20°CDB (68°FDB) 7°CDB/6°CWB (45°FDB/43°FWB) 7.5 m (24-9/16 ft) 0 m (0 ft)	Unit converter kcal/h = kW x 860 Btu/h = kW x 3,412 cfm = m ³ /min x 35.31 lb = kg / 0.4536
*1 Nominal cooling conditions Indoor : 27°CDB/19°CWB (81°FDB/66°FWB) Outdoor : 35°CDB (95°FDB) Pipe length : 7.5 m (24-9/16 ft) Level difference : 0 m (0 ft)	*2 Nominal cooling conditions 27°CDB/19.5°CWB (81°FDB/67°FWB) 35°CDB (95°FDB) 5 m (16-3/8 ft) 0 m (0 ft)	*3 Nominal heating conditions 20°CDB (68°FDB) 7°CDB/6°CWB (45°FDB/43°FWB) 7.5 m (24-9/16 ft) 0 m (0 ft)	Unit converter kcal/h = kW x 860 Btu/h = kW x 3,412 cfm = m ³ /min x 35.31 lb = kg / 0.4536							
* Nominal conditions *1, *3 are subject to JIS B8615-1. * Due to continuing improvement, above specification may be subject to change without notice.										
Ref.: Spec_PCFY-P-VGM-E										

2. CAPACITY TABLES

R410A Data G2

2-1a. Cooling capacity in combination with PUHY,PUY,PURY-P200,250YGM

PCFY-P-VGM-E

CA : Capacity(kW) SHC : Sensible Heat Capacity(kW)

Model size (Rated kW)	Outdoor air temp.		Indoor air temp.															
			71°FDB / 59°F WB		73°FDB / 61°F WB		77°FDB / 64°F WB		81°FDB / 66°F WB		82°FDB / 68°F WB		86°FDB / 72°F WB		90°FDB / 75°F WB			
	°FDB	°CDB	21.5°CDB / 15°CWB		23°CDB / 16°CWB		25°CDB / 18°CWB		27°CDB / 19°CWB		28°CDB / 20°CWB		30°CDB / 22°CWB		32°CDB / 24°CWB			
		CA	SHC	CA	SHC	CA	SHC	CA	SHC	CA	SHC	CA	SHC	CA	SHC	CA	SHC	
40 (4.5)	68	20.0	4.3	3.1	4.4	3.2	4.7	3.1	4.9	3.2	5.0	3.3	5.3	3.3	5.7	3.2		
	73	22.5	4.3	3.1	4.4	3.2	4.7	3.1	4.9	3.2	5.0	3.3	5.3	3.3	5.7	3.2		
	77	25.0	4.3	3.1	4.4	3.2	4.7	3.1	4.9	3.2	5.0	3.3	5.3	3.2	5.6	3.2		
	82	27.5	4.3	3.1	4.4	3.1	4.6	3.1	4.8	3.1	4.9	3.3	5.2	3.2	5.5	3.1		
	86	30.0	4.2	3.0	4.3	3.1	4.6	3.1	4.7	3.1	4.8	3.2	5.0	3.1	5.4	3.1		
	91	32.5	4.1	3.0	4.2	3.1	4.5	3.0	4.6	3.1	4.7	3.2	5.0	3.1	5.3	3.1		
	95	35.0	4.0	2.9	4.1	3.0	4.4	3.0	4.5	3.0	4.6	3.1	4.9	3.1	5.2	3.0		
	100	37.5	3.9	2.9	4.1	3.0	4.3	3.0	4.4	3.0	4.5	3.1	4.8	3.0	5.0	3.0		
	104	40.0	3.9	2.9	4.0	2.9	4.2	2.9	4.3	2.9	4.5	3.1	4.7	3.0	5.0	2.9		
110	43.0	3.8	2.8	3.9	2.9	4.1	2.9	4.2	2.9	4.3	3.0	4.5	2.9	4.8	2.9			
63 (7.1)	68	20.0	6.7	4.9	7.0	5.0	7.5	5.0	7.7	5.0	7.9	5.2	8.4	5.1	9.0	5.1		
	73	22.5	6.7	4.9	7.0	5.0	7.5	5.0	7.7	5.0	7.9	5.2	8.4	5.1	9.0	5.1		
	77	25.0	6.7	4.9	7.0	5.0	7.5	5.0	7.7	5.0	7.8	5.2	8.3	5.1	8.8	5.0		
	82	27.5	6.7	4.8	6.9	5.0	7.3	4.9	7.5	5.0	7.7	5.1	8.1	5.0	8.7	5.0		
	86	30.0	6.6	4.8	6.8	4.9	7.2	4.8	7.4	4.9	7.6	5.1	8.0	5.0	8.5	4.9		
	91	32.5	6.5	4.7	6.7	4.8	7.0	4.8	7.2	4.8	7.4	5.0	7.8	4.9	8.3	4.8		
	95	35.0	6.4	4.7	6.5	4.8	6.9	4.7	7.1	4.8	7.3	4.9	7.7	4.8	8.1	4.8		
	100	37.5	6.2	4.6	6.4	4.7	6.8	4.7	6.9	4.7	7.1	4.9	7.5	4.8	8.0	4.7		
	104	40.0	6.1	4.5	6.3	4.7	6.7	4.6	6.8	4.7	7.0	4.8	7.3	4.7	7.8	4.7		
110	43.0	6.0	4.5	6.1	4.6	6.5	4.5	6.6	4.6	6.8	4.7	7.2	4.7	7.6	4.6			
100 (11.2)	68	20.0	10.6	7.5	11.0	7.7	11.8	7.7	12.1	7.7	12.5	8.0	13.2	7.9	14.2	7.8		
	73	22.5	10.6	7.5	11.0	7.7	11.8	7.7	12.1	7.7	12.5	8.0	13.2	7.9	14.2	7.8		
	77	25.0	10.6	7.5	11.0	7.7	11.8	7.7	12.1	7.7	12.4	8.0	13.1	7.9	13.9	7.7		
	82	27.5	10.6	7.5	10.9	7.7	11.5	7.6	11.9	7.6	12.2	7.9	12.8	7.7	13.7	7.6		
	86	30.0	10.4	7.4	10.7	7.6	11.3	7.5	11.6	7.5	11.9	7.8	12.5	7.6	13.4	7.5		
	91	32.5	10.2	7.3	10.5	7.5	11.1	7.4	11.4	7.4	11.7	7.7	12.3	7.5	13.1	7.4		
	95	35.0	10.0	7.2	10.3	7.4	10.9	7.3	11.2	7.3	11.5	7.6	12.1	7.4	12.8	7.3		
	100	37.5	9.8	7.1	10.1	7.2	10.7	7.2	10.9	7.2	11.3	7.5	11.9	7.4	12.5	7.2		
	104	40.0	9.6	7.0	9.9	7.2	10.5	7.1	10.8	7.1	11.1	7.4	11.6	7.2	12.3	7.1		
110	43.0	9.4	6.9	9.7	7.1	10.2	7.0	10.4	7.0	10.8	7.3	11.3	7.1	12.0	7.0			
125 (14.0)	68	20.0	13.3	9.4	13.8	9.6	14.7	9.6	15.1	9.7	15.6	10.0	16.5	9.9	17.7	9.8		
	73	22.5	13.3	9.4	13.8	9.6	14.7	9.6	15.1	9.7	15.6	10.0	16.5	9.9	17.7	9.8		
	77	25.0	13.3	9.4	13.8	9.6	14.7	9.6	15.1	9.7	15.5	10.0	16.4	9.8	17.4	9.7		
	82	27.5	13.2	9.3	13.7	9.6	14.4	9.5	14.8	9.5	15.3	9.9	16.0	9.7	17.1	9.5		
	86	30.0	13.0	9.2	13.4	9.4	14.2	9.3	14.6	9.4	14.9	9.7	15.7	9.5	16.7	9.4		
	91	32.5	12.7	9.1	13.2	9.3	13.9	9.2	14.2	9.2	14.6	9.6	15.4	9.4	16.4	9.3		
	95	35.0	12.5	9.0	12.9	9.2	13.7	9.1	14.0	9.2	14.4	9.5	15.1	9.3	16.0	9.1		
	100	37.5	12.3	8.8	12.6	9.0	13.4	9.0	13.7	9.0	14.1	9.3	14.8	9.2	15.7	9.0		
	104	40.0	12.0	8.7	12.4	8.9	13.2	8.9	13.4	8.9	13.9	9.2	14.5	9.0	15.4	8.9		
110	43.0	11.8	8.6	12.1	8.8	12.8	8.7	13.0	8.7	13.4	9.1	14.1	8.9	15.0	8.8			

kcal/h = kW x 860, Btu/h = kW x 3,412

2. CAPACITY TABLES

R410A Data G2

2-1b. Heating capacity in combination with PUHY,PURY-P200,250YGM

PCFY-P-VGM-E

SHC : Sensible Heat Capacity(kW)

Model size (Rated kW)	Outdoor air temp.		Indoor air temp.			
			59 °FDB	68 °FDB	77 °FDB	81 °FDB
	°FWB	°CWB	15.0°CDB	20.0°CDB	25.0°CDB	27.0°CDB
40 (4.5)	-4	-20.0	2.6	2.5	2.5	2.5
	5	-15.0	3.1	3.1	3.0	3.0
	14	-10.0	3.7	3.6	3.5	3.4
	23	-5.0	4.2	4.2	4.0	3.5
	32	0.0	4.7	4.7	4.0	3.5
	37	2.5	5.0	5.0	4.0	3.5
	43	6.0	5.2	5.0	4.0	3.5
	46	7.5	5.4	5.0	4.0	3.5
	50	10.0	5.7	5.0	4.0	3.5
	55	12.5	6.0	5.0	4.0	3.5
60	15.5	6.4	5.0	4.0	3.5	
63 (7.1)	-4	-20.0	4.1	4.0	4.0	4.0
	5	-15.0	5.0	4.9	4.8	4.7
	14	-10.0	5.8	5.8	5.6	5.5
	23	-5.0	6.7	6.6	6.4	5.6
	32	0.0	7.6	7.5	6.4	5.6
	37	2.5	8.0	7.9	6.4	5.6
	43	6.0	8.3	8.0	6.4	5.6
	46	7.5	8.6	8.0	6.4	5.6
	50	10.0	9.1	8.0	6.4	5.6
	55	12.5	9.6	8.0	6.4	5.6
60	15.5	10.2	8.0	6.4	5.6	

Model size (Rated kW)	Outdoor air temp.		Indoor air temp.			
			59 °FDB	68 °FDB	77 °FDB	81 °FDB
	°FWB	°CWB	15.0°CDB	20.0°CDB	25.0°CDB	27.0°CDB
100 (11.2)	-4	-20.0	6.4	6.3	6.3	6.3
	5	-15.0	7.8	7.6	7.5	7.4
	14	-10.0	9.1	9.0	8.8	8.6
	23	-5.0	10.5	10.4	10.0	8.8
	32	0.0	11.8	11.8	10.0	8.8
	37	2.5	12.5	12.4	10.0	8.8
	43	6.0	13.0	12.5	10.0	8.8
	46	7.5	13.4	12.5	10.0	8.8
	50	10.0	14.3	12.5	10.0	8.8
	55	12.5	15.1	12.5	10.0	8.8
60	15.5	16.0	12.5	10.0	8.8	
125 (14.0)	-4	-20.0	8.2	8.0	8.0	8.0
	5	-15.0	9.9	9.8	9.6	9.4
	14	-10.0	11.7	11.5	11.2	11.0
	23	-5.0	13.4	13.3	12.8	11.2
	32	0.0	15.1	15.0	12.8	11.2
	37	2.5	16.0	15.8	12.8	11.2
	43	6.0	16.6	16.0	12.8	11.2
	46	7.5	17.2	16.0	12.8	11.2
	50	10.0	18.2	16.0	12.8	11.2
	55	12.5	19.3	16.0	12.8	11.2
60	15.5	20.5	16.0	12.8	11.2	

kcal/h = kW x 860, Btu/h = kW x 3,412

2. CAPACITY TABLES

R410A Data G2

2-2a. Cooling capacity in combination with PUHY,PUY,PURY-P300,350YGM / PUHY,PURY-P400YGM

PCFY-P-VGM-E

CA : Capacity(kW) SHC : Sensible Heat Capacity(kW)

Model size (Rated kW)	Outdoor air temp.		Indoor air temp.													
			71°FDB / 59°FWB		73°FDB / 61°FWB		77°FDB / 64°FWB		81°FDB / 66°FWB		82°FDB / 68°FWB		86°FDB / 72°FWB		90°FDB / 75°FWB	
			21.5°CDB / 15°CWB		23°CDB / 16°CWB		25°CDB / 18°CWB		27°CDB / 19°CWB		28°CDB / 20°CWB		30°CDB / 22°CWB		32°CDB / 24°CWB	
	°FDB	°CDB	CA	SHC	CA	SHC	CA	SHC	CA	SHC	CA	SHC	CA	SHC	CA	SHC
40 (4.5)	68	20.0	4.4	3.1	4.5	3.2	4.9	3.2	5.0	3.3	5.2	3.4	5.5	3.3	5.9	3.3
	73	22.5	4.3	3.1	4.5	3.2	4.8	3.2	5.0	3.2	5.1	3.3	5.4	3.3	5.7	3.2
	77	25.0	4.3	3.1	4.4	3.2	4.7	3.1	4.9	3.2	5.0	3.3	5.3	3.3	5.6	3.2
	82	27.5	4.2	3.0	4.3	3.1	4.6	3.1	4.8	3.1	4.9	3.3	5.2	3.2	5.5	3.2
	86	30.0	4.1	3.0	4.2	3.1	4.5	3.1	4.7	3.1	4.8	3.2	5.1	3.2	5.4	3.1
	91	32.5	4.1	3.0	4.2	3.0	4.4	3.0	4.6	3.1	4.7	3.2	5.0	3.1	5.3	3.1
	95	35.0	4.0	2.9	4.1	3.0	4.3	3.0	4.5	3.0	4.6	3.1	4.9	3.1	5.2	3.0
	100	37.5	4.0	2.9	4.0	2.9	4.3	2.9	4.4	3.0	4.5	3.1	4.8	3.1	5.1	3.0
	104	40.0	3.9	2.9	3.9	2.9	4.2	2.9	4.3	2.9	4.9	3.2	4.7	3.0	5.0	3.0
110	43.0	3.8	2.8	3.8	2.9	4.1	2.8	4.2	2.9	4.3	3.0	4.6	3.0	4.8	2.9	
63 (7.1)	68	20.0	6.9	4.9	7.1	5.1	7.7	5.1	8.0	5.1	8.2	5.3	8.7	5.3	9.2	5.2
	73	22.5	6.9	4.9	7.1	5.1	7.6	5.0	7.8	5.1	8.1	5.3	8.5	5.2	9.1	5.1
	77	25.0	6.8	4.9	7.0	5.0	7.4	5.0	7.7	5.0	7.9	5.2	8.4	5.1	8.9	5.1
	82	27.5	6.6	4.8	6.8	4.9	7.3	4.9	7.5	5.0	7.8	5.1	8.2	5.1	8.7	5.0
	86	30.0	6.5	4.7	6.7	4.8	7.1	4.8	7.4	4.9	7.6	5.1	8.1	5.0	8.5	4.9
	91	32.5	6.4	4.7	6.6	4.8	7.0	4.8	7.2	4.8	7.5	5.0	7.9	4.9	8.4	4.9
	95	35.0	6.3	4.6	6.4	4.7	6.8	4.7	7.1	4.8	7.3	4.9	7.7	4.9	8.2	4.8
	100	37.5	6.2	4.6	6.3	4.7	6.7	4.6	6.9	4.7	7.2	4.9	7.6	4.8	8.0	4.7
	104	40.0	6.1	4.6	6.1	4.6	6.6	4.6	6.8	4.6	7.7	5.1	7.4	4.8	7.8	4.7
110	43.0	6.0	4.5	6.0	4.5	6.4	4.5	6.6	4.6	6.8	4.7	7.2	4.7	7.6	4.6	
100 (11.2)	68	20.0	10.9	7.6	11.3	7.8	12.1	7.8	12.5	7.9	12.9	8.2	13.7	8.1	14.6	8.0
	73	22.5	10.8	7.6	11.2	7.8	11.9	7.8	12.3	7.8	12.7	8.1	13.5	8.0	14.3	7.9
	77	25.0	10.7	7.5	11.0	7.7	11.7	7.7	12.1	7.7	12.5	8.0	13.2	7.9	14.0	7.8
	82	27.5	10.5	7.4	10.8	7.6	11.5	7.5	11.9	7.6	12.2	7.9	13.0	7.8	13.7	7.7
	86	30.0	10.3	7.3	10.5	7.5	11.3	7.4	11.6	7.5	12.0	7.8	12.8	7.7	13.4	7.6
	91	32.5	10.1	7.2	10.4	7.4	11.0	7.3	11.4	7.4	11.8	7.7	12.4	7.6	13.2	7.5
	95	35.0	10.0	7.2	10.1	7.3	10.8	7.2	11.2	7.3	11.5	7.6	12.2	7.5	12.9	7.4
	100	37.5	9.9	7.1	9.9	7.2	10.6	7.1	10.9	7.2	11.3	7.5	12.0	7.4	12.7	7.3
	104	40.0	9.7	7.0	9.7	7.1	10.4	7.0	10.7	7.1	12.2	7.9	11.7	7.3	12.4	7.2
110	43.0	9.4	6.9	9.4	6.9	10.1	6.9	10.4	7.0	10.7	7.2	11.4	7.2	12.0	7.0	
125 (14.0)	68	20.0	13.6	9.5	14.1	9.8	15.1	9.8	15.7	9.9	16.2	10.3	17.2	10.1	18.2	10.0
	73	22.5	13.5	9.5	14.0	9.8	14.9	9.7	15.4	9.8	15.9	10.1	16.8	10.0	17.9	9.8
	77	25.0	13.4	9.4	13.7	9.6	14.6	9.6	15.1	9.7	15.6	10.0	16.5	9.9	17.5	9.7
	82	27.5	13.1	9.3	13.4	9.5	14.4	9.4	14.8	9.5	15.3	9.9	16.2	9.7	17.2	9.6
	86	30.0	12.9	9.2	13.2	9.3	14.1	9.3	14.6	9.4	15.0	9.7	16.0	9.6	16.8	9.4
	91	32.5	12.7	9.0	13.0	9.2	13.8	9.2	14.3	9.3	14.7	9.6	15.5	9.5	16.5	9.3
	95	35.0	12.5	8.9	12.7	9.1	13.4	9.0	14.0	9.2	14.4	9.5	15.3	9.3	16.2	9.2
	100	37.5	12.3	8.9	12.4	8.9	13.2	8.9	13.7	9.0	14.1	9.4	15.0	9.2	15.8	9.1
	104	40.0	12.1	8.8	12.1	8.8	13.0	8.8	13.4	8.9	15.2	9.8	14.6	9.1	15.5	8.9
110	43.0	11.8	8.6	11.8	8.6	12.6	8.6	13.0	8.7	13.4	9.0	14.2	8.9	15.1	8.8	

kcal/h = kW x 860, Btu/h = kW x 3,412

2. CAPACITY TABLES

R410A Data G2

2-2b. Heating capacity in combination with PUHY,PURY-P300,350,400YGM

PCFY-P-VGM-E

SHC : Sensible Heat Capacity(kW)

Model size (Rated kW)	Outdoor air temp.		Indoor air temp.			
			59 °FDB	68 °FDB	77 °FDB	81 °FDB
	°FWB	°CWB	15.0°CDB	20.0°CDB	25.0°CDB	27.0°CDB
40 (4.5)	-4	-20.0	2.6	2.5	2.5	2.4
	5	-15.0	3.0	3.0	3.0	2.9
	14	-10.0	3.5	3.5	3.4	3.2
	23	-5.0	4.0	4.0	3.8	3.2
	32	0.0	4.5	4.5	3.8	3.2
	37	2.5	4.8	4.7	3.8	3.2
	43	6.0	5.1	5.0	3.8	3.2
	46	7.5	5.3	5.0	3.8	3.2
	50	10.0	5.5	5.0	3.8	3.2
	55	12.5	5.8	5.0	3.8	3.2
63 (7.1)	-4	-20.0	4.2	4.0	4.0	3.8
	5	-15.0	4.8	4.8	4.8	4.6
	14	-10.0	5.6	5.6	5.5	5.1
	23	-5.0	6.4	6.4	6.0	5.1
	32	0.0	7.2	7.2	6.0	5.1
	37	2.5	7.6	7.6	6.0	5.1
	43	6.0	8.2	8.0	6.0	5.1
	46	7.5	8.5	8.0	6.0	5.1
	50	10.0	8.8	8.0	6.0	5.1
	55	12.5	9.2	8.0	6.0	5.1
60	15.5	9.2	8.0	6.0	5.1	

Model size (Rated kW)	Outdoor air temp.		Indoor air temp.			
			59 °FDB	68 °FDB	77 °FDB	81 °FDB
	°FWB	°CWB	15.0°CDB	20.0°CDB	25.0°CDB	27.0°CDB
100 (11.2)	-4	-20.0	6.5	6.3	6.3	6.0
	5	-15.0	7.5	7.5	7.5	7.3
	14	-10.0	8.8	8.8	8.6	8.0
	23	-5.0	10.0	10.0	9.4	8.0
	32	0.0	11.3	11.3	9.4	8.0
	37	2.5	11.9	11.8	9.4	8.0
	43	6.0	12.8	12.5	9.4	8.0
	46	7.5	13.3	12.5	9.4	8.0
	50	10.0	13.8	12.5	9.4	8.0
	55	12.5	14.4	12.5	9.4	8.0
125 (14.0)	-4	-20.0	8.3	8.0	8.0	7.7
	5	-15.0	9.6	9.6	9.6	9.3
	14	-10.0	11.2	11.2	11.0	10.2
	23	-5.0	12.8	12.8	12.0	10.2
	32	0.0	14.4	14.4	12.0	10.2
	37	2.5	15.3	15.1	12.0	10.2
	43	6.0	16.4	16.0	12.0	10.2
	46	7.5	17.0	16.0	12.0	10.2
	50	10.0	17.7	16.0	12.0	10.2
	55	12.5	18.4	16.0	12.0	10.2
60	15.5	18.4	16.0	12.0	10.2	

kcal/h = kW x 860, Btu/h = kW x 3,412

2. CAPACITY TABLES

R410A Data G2

2-3a. Cooling capacity in combination with PUHY,PURY-P450,500,550,600,650YGM

PCFY-P-VGM-E

CA : Capacity(kW) SHC : Sensible Heat Capacity(kW)

Model size (Rated kW)	Outdoor air temp.		Indoor air temp.													
			71°FDB / 59°FWB		73°FDB / 61°FWB		77°FDB / 64°FWB		81°FDB / 66°FWB		82°FDB / 68°FWB		86°FDB / 72°FWB		90°FDB / 75°FWB	
	°FDB	°CDB	21.5°CDB / 15°CWB		23°CDB / 16°CWB		25°CDB / 18°CWB		27°CDB / 19°CWB		28°CDB / 20°CWB		30°CDB / 22°CWB		32°CDB / 24°CWB	
		CA	SHC	CA	SHC	CA	SHC	CA	SHC	CA	SHC	CA	SHC	CA	SHC	
40 (4.5)	68	20.0	4.3	3.1	4.4	3.1	4.7	3.1	4.8	3.2	5.0	3.3	5.3	3.3	5.7	3.2
	73	22.5	4.2	3.1	4.3	3.1	4.6	3.1	4.8	3.1	5.0	3.3	5.3	3.2	5.6	3.2
	77	25.0	4.2	3.0	4.3	3.1	4.6	3.1	4.7	3.1	4.9	3.3	5.2	3.2	5.6	3.2
	82	27.5	4.1	3.0	4.2	3.1	4.5	3.1	4.7	3.1	4.9	3.2	5.2	3.2	5.4	3.1
	86	30.0	4.1	3.0	4.2	3.0	4.5	3.0	4.6	3.1	4.8	3.2	5.1	3.2	5.4	3.1
	91	32.5	4.1	3.0	4.1	3.0	4.4	3.0	4.5	3.0	4.8	3.2	5.1	3.2	5.4	3.1
	95	35.0	4.0	2.9	4.1	3.0	4.4	3.0	4.5	3.0	4.7	3.2	5.0	3.1	5.4	3.1
	100	37.5	4.0	2.9	4.0	3.0	4.3	3.0	4.4	3.0	4.7	3.1	5.0	3.1	5.3	3.1
	104	40.0	3.9	2.9	4.0	2.9	4.3	3.0	4.4	3.0	4.6	3.1	5.0	3.1	5.3	3.1
	110	43.0	3.9	2.9	3.9	2.9	4.2	2.9	4.3	2.9	4.5	3.1	4.9	3.1	5.2	3.0
63 (7.1)	68	20.0	6.7	4.8	6.9	5.0	7.4	4.9	7.6	5.0	7.9	5.2	8.4	5.1	8.9	5.1
	73	22.5	6.7	4.8	6.9	4.9	7.3	4.9	7.5	5.0	7.8	5.2	8.3	5.1	8.8	5.0
	77	25.0	6.6	4.8	6.8	4.9	7.2	4.9	7.5	4.9	7.7	5.1	8.2	5.1	8.8	5.0
	82	27.5	6.5	4.7	6.7	4.8	7.2	4.8	7.4	4.9	7.7	5.1	8.2	5.0	8.5	4.9
	86	30.0	6.5	4.7	6.6	4.8	7.1	4.8	7.3	4.9	7.6	5.1	8.1	5.0	8.6	4.9
	91	32.5	6.4	4.7	6.5	4.8	7.0	4.7	7.2	4.8	7.5	5.0	8.0	5.0	8.5	4.9
	95	35.0	6.3	4.6	6.4	4.7	6.9	4.7	7.1	4.8	7.4	5.0	8.0	5.0	8.4	4.9
	100	37.5	6.2	4.6	6.4	4.7	6.8	4.7	7.0	4.7	7.3	5.0	7.8	4.9	8.4	4.9
	104	40.0	6.1	4.6	6.3	4.7	6.8	4.7	6.9	4.7	7.2	4.9	7.8	4.9	8.3	4.8
	110	43.0	6.1	4.5	6.2	4.6	6.7	4.6	6.8	4.7	7.2	4.9	7.7	4.8	8.2	4.8
100 (11.2)	68	20.0	10.6	7.5	10.9	7.7	11.6	7.6	12.0	7.7	12.5	8.0	13.2	7.9	14.1	7.8
	73	22.5	10.5	7.4	10.8	7.6	11.5	7.6	11.9	7.6	12.3	8.0	13.2	7.9	13.9	7.8
	77	25.0	10.4	7.4	10.7	7.6	11.4	7.5	11.8	7.6	12.2	7.9	13.0	7.8	13.8	7.7
	82	27.5	10.3	7.3	10.5	7.5	11.3	7.5	11.6	7.5	12.1	7.9	12.9	7.8	13.4	7.6
	86	30.0	10.2	7.3	10.4	7.4	11.2	7.4	11.5	7.5	12.0	7.8	12.8	7.7	13.6	7.6
	91	32.5	10.1	7.2	10.3	7.4	11.0	7.3	11.3	7.4	11.9	7.8	12.7	7.7	13.4	7.6
	95	35.0	10.0	7.2	10.1	7.3	10.9	7.3	11.2	7.3	11.6	7.7	12.5	7.6	13.3	7.5
	100	37.5	9.9	7.1	10.0	7.2	10.8	7.2	11.0	7.3	11.6	7.6	12.4	7.6	13.2	7.5
	104	40.0	9.7	7.0	9.9	7.2	10.7	7.2	10.9	7.2	11.4	7.6	12.3	7.5	13.1	7.4
	110	43.0	9.6	7.0	9.8	7.1	10.5	7.1	10.8	7.1	11.3	7.5	12.1	7.4	13.0	7.4
125 (14.0)	68	20.0	13.2	9.3	13.7	9.6	14.6	9.5	15.0	9.6	15.6	10.0	16.5	9.9	17.6	9.8
	73	22.5	13.2	9.3	13.5	9.5	14.4	9.5	14.8	9.5	15.4	9.9	16.5	9.8	17.4	9.7
	77	25.0	13.0	9.2	13.4	9.4	14.3	9.4	14.7	9.5	15.3	9.9	16.2	9.7	17.3	9.6
	82	27.5	12.9	9.2	13.2	9.3	14.1	9.3	14.6	9.4	15.1	9.8	16.1	9.7	16.8	9.4
	86	30.0	12.7	9.1	13.0	9.3	14.0	9.3	14.4	9.3	15.0	9.7	16.0	9.6	16.9	9.5
	91	32.5	12.6	9.0	12.9	9.2	13.7	9.1	14.1	9.2	14.8	9.7	15.8	9.6	16.8	9.4
	95	35.0	12.5	8.9	12.7	9.1	13.7	9.1	14.0	9.2	14.6	9.5	15.7	9.5	16.7	9.4
	100	37.5	12.3	8.9	12.6	9.0	13.4	9.0	13.8	9.1	14.5	9.5	15.5	9.4	16.5	9.3
	104	40.0	12.1	8.8	12.4	8.9	13.4	9.0	13.6	9.0	14.3	9.4	15.4	9.4	16.4	9.3
	110	43.0	12.0	8.7	12.3	8.9	13.2	8.9	13.4	8.9	14.1	9.4	15.1	9.3	16.2	9.2

kcal/h = kW x 860, Btu/h = kW x 3,412

2. CAPACITY TABLES

R410A Data G2

2-3b. Heating capacity in combination with PUHY,PURY-P450,500,550,600,650YGM

PCFY-P-VGM-E

SHC : Sensible Heat Capacity(kW)

Model size (Rated kW)	Outdoor air temp.		Indoor air temp.			
			59 °FDB	68 °FDB	77 °FDB	81 °FDB
	°FWB	°CWB	15.0°CDB	20.0°CDB	25.0°CDB	27.0°CDB
40 (4.5)	-4	-20.0	2.7	2.6	2.6	2.5
	5	-15.0	3.1	3.0	3.0	2.9
	14	-10.0	3.6	3.5	3.4	3.3
	23	-5.0	4.1	4.0	3.9	3.5
	32	0.0	4.6	4.5	4.0	3.5
	37	2.5	4.8	4.8	4.0	3.5
	43	6.0	5.2	5.0	4.0	3.5
	46	7.5	5.3	5.0	4.0	3.5
	50	10.0	5.6	5.0	4.0	3.5
	55	12.5	5.8	5.0	4.0	3.5
60	15.5	5.8	5.0	4.0	3.5	
63 (7.1)	-4	-20.0	4.2	4.1	4.1	4.0
	5	-15.0	5.0	4.8	4.8	4.6
	14	-10.0	5.8	5.6	5.4	5.3
	23	-5.0	6.6	6.4	6.2	5.6
	32	0.0	7.4	7.2	6.4	5.6
	37	2.5	7.7	7.6	6.4	5.6
	43	6.0	8.2	8.0	6.4	5.6
	46	7.5	8.5	8.0	6.4	5.6
	50	10.0	8.9	8.0	6.4	5.6
	55	12.5	9.3	8.0	6.4	5.6
60	15.5	9.3	8.0	6.4	5.6	

Model size (Rated kW)	Outdoor air temp.		Indoor air temp.			
			59 °FDB	68 °FDB	77 °FDB	81 °FDB
	°FWB	°CWB	15.0°CDB	20.0°CDB	25.0°CDB	27.0°CDB
100 (11.2)	-4	-20.0	6.6	6.4	6.4	6.3
	5	-15.0	7.8	7.6	7.5	7.3
	14	-10.0	9.0	8.8	8.5	8.3
	23	-5.0	10.3	10.0	9.6	8.8
	32	0.0	11.5	11.3	9.9	8.8
	37	2.5	12.0	11.9	9.9	8.8
	43	6.0	12.9	12.5	9.9	8.8
	46	7.5	13.3	12.5	9.9	8.8
	50	10.0	13.9	12.5	9.9	8.8
	55	12.5	14.5	12.5	9.9	8.8
60	15.5	14.5	12.5	9.9	8.8	
125 (14.0)	-4	-20.0	8.5	8.2	8.2	8.0
	5	-15.0	10.0	9.7	9.6	9.3
	14	-10.0	11.5	11.2	10.9	10.6
	23	-5.0	13.1	12.8	12.3	11.3
	32	0.0	14.7	14.4	12.7	11.3
	37	2.5	15.4	15.2	12.7	11.3
	43	6.0	16.5	16.0	12.7	11.3
	46	7.5	17.0	16.0	12.7	11.3
	50	10.0	17.8	16.0	12.7	11.3
	55	12.5	18.6	16.0	12.7	11.3
60	15.5	18.6	16.0	12.7	11.3	

kcal/h = kW x 860, Btu/h = kW x 3,412

2. CAPACITY TABLES

R410A Data G2

2-4a. Cooling capacity in combination with PQHY,PQRY-P200,250YGM, PQHY,PQRY-P400,500YSGM

PCFY-P-VGM-E

CA : Capacity(kW) SHC : Sensible Heat Capacity(kW)

Model size (Rated kW)	Water temp.		Indoor air temp.													
			71°FDB / 59°FWB 21.5°CDB / 15°CWB		73°FDB / 61°FWB 23°CDB / 16°CWB		77°FDB / 64°FWB 25°CDB / 18°CWB		81°FDB / 66°FWB 27°CDB / 19°CWB		82°FDB / 68°FWB 28°CDB / 20°CWB		86°FDB / 72°FWB 30°CDB / 22°CWB		90°FDB / 75°FWB 32°CDB / 24°CWB	
	°F	°C	CA	SHC	CA	SHC	CA	SHC	CA	SHC	CA	SHC	CA	SHC	CA	SHC
40 (4.5)	50	10.0	4.5	3.2	4.6	3.3	4.9	3.2	5.1	3.3	5.2	3.4	5.6	3.4	5.9	3.3
	68	20.0	4.2	3.1	4.4	3.1	4.7	3.1	4.8	3.2	5.0	3.3	5.3	3.2	5.6	3.2
	86	30.0	3.9	2.9	4.1	3.0	4.4	3.0	4.5	3.0	4.6	3.1	4.9	3.1	5.2	3.0
	104	40.0	3.6	2.7	3.7	2.8	3.9	2.8	4.1	2.8	4.2	2.9	4.5	2.9	4.7	2.9
	113	45.0	3.3	2.6	3.5	2.7	3.7	2.7	3.8	2.7	3.9	2.8	4.2	2.8	4.4	2.8
63 (7.1)	50	10.0	7.0	5.0	7.3	5.2	7.8	5.1	8.0	5.2	8.3	5.4	8.8	5.3	9.3	5.2
	68	20.0	6.7	4.8	6.9	5.0	7.4	4.9	7.6	5.0	7.8	5.2	8.3	5.1	8.8	5.0
	86	30.0	6.2	4.6	6.4	4.7	6.9	4.7	7.1	4.8	7.3	5.0	7.8	4.9	8.2	4.8
	104	40.0	5.6	4.3	5.8	4.4	6.2	4.4	6.4	4.5	6.6	4.7	7.0	4.6	7.4	4.5
	113	45.0	5.3	4.1	5.4	4.3	5.8	4.2	6.0	4.3	6.2	4.5	6.6	4.4	6.9	4.4
100 (11.2)	50	10.0	11.1	7.8	11.5	8.0	12.3	7.9	12.7	8.0	13.1	8.3	13.8	8.2	14.6	8.0
	68	20.0	10.5	7.4	10.9	7.7	11.6	7.6	12.0	7.7	12.4	8.0	13.1	7.9	13.9	7.7
	86	30.0	9.8	7.1	10.2	7.3	10.9	7.2	11.2	7.3	11.5	7.6	12.2	7.5	12.9	7.4
	104	40.0	8.9	6.6	9.2	6.8	9.8	6.8	10.1	6.9	10.5	7.1	11.1	7.0	11.7	6.9
	113	45.0	8.3	6.3	8.6	6.5	9.2	6.5	9.5	6.6	9.8	6.8	10.4	6.8	11.0	6.6
125 (14.0)	50	10.0	13.9	9.7	14.4	9.9	15.3	9.9	15.8	10.0	16.3	10.3	17.3	10.2	18.3	10.0
	68	20.0	13.1	9.3	13.6	9.6	14.5	9.5	15.0	9.6	15.5	10.0	16.4	9.8	17.3	9.6
	86	30.0	12.3	8.8	12.7	9.1	13.6	9.0	14.0	9.2	14.4	9.5	15.3	9.4	16.2	9.2
	104	40.0	11.1	8.2	11.5	8.5	12.3	8.5	12.7	8.6	13.1	8.9	13.8	8.8	14.6	8.6
	113	45.0	10.4	7.9	10.7	8.1	11.5	8.1	11.8	8.2	12.2	8.5	12.9	8.4	13.7	8.3

kcal/h = kW x 860, Btu/h = kW x 3,412

2. CAPACITY TABLES

R410A Data G2

2-4b. Heating capacity in combination with PQHY,PQRY-P200,250YGM, PQHY,PQRY-P400,500YSGM

PCFY-P-VGM-E

SHC : Sensible Heat Capacity(kW)

Model size (Rated kW)	Water temp.		Indoor air temp. : °CDB				
			59 °FDB	66 °FDB	68 °FDB	77 °FDB	81 °FDB
	°F	°C	15.0°CDB	19.0°CDB	20.0°CDB	25.0°CDB	27.0°CDB
40 (4.5)	50	10	4.0	4.0	4.0	3.4	3.1
	68	20	5.0	5.0	5.0	4.2	3.9
	86	30	5.0	5.0	5.0	4.2	3.9
	104	40	5.0	5.0	5.0	4.2	3.9
	113	45	5.0	5.0	5.0	4.2	3.9
63 (7.1)	50	10	6.3	6.3	6.3	5.4	4.9
	68	20	8.0	8.0	8.0	6.8	6.2
	86	30	8.0	8.0	8.0	6.8	6.2
	104	40	8.0	8.0	8.0	6.8	6.2
	113	45	8.0	8.0	8.0	6.8	6.2
100 (11.2)	50	10	9.9	9.9	9.9	8.4	7.7
	68	20	12.5	12.5	12.5	10.6	9.7
	86	30	12.5	12.5	12.5	10.6	9.7
	104	40	12.5	12.5	12.5	10.6	9.7
	113	45	12.5	12.5	12.5	10.6	9.7
125 (14.0)	50	10	12.7	12.7	12.7	10.7	9.8
	68	20	16.0	16.0	16.0	13.6	12.4
	86	30	16.0	16.0	16.0	13.6	12.4
	104	40	16.0	16.0	16.0	13.6	12.4
	113	45	16.0	16.0	16.0	13.6	12.4

kcal/h = kW x 860, Btu/h = kW x 3,412

2. CAPACITY TABLES

R410A Data G2

2-5a. Cooling capacity in combination with PUMY-P100,125,140YHM

PCFY-P-VGM-E

CA : Capacity(kW) SHC : Sensible Heat Capacity(kW)

Model size (Rated kW)	Outdoor air temp.		Indoor air temp.													
			71°FDB / 59°FWB		73°FDB / 61°FWB		77°FDB / 64°FWB		81°FDB / 66°FWB		82°FDB / 68°FWB		86°FDB / 72°FWB		90°FDB / 75°FWB	
	°FDB	°CDB	21.5°CDB / 15°CWB		23°CDB / 16°CWB		25°CDB / 18°CWB		27°CDB / 19°CWB		28°CDB / 20°CWB		30°CDB / 22°CWB		32°CDB / 24°CWB	
		CA	SHC	CA	SHC	CA	SHC	CA	SHC	CA	SHC	CA	SHC	CA	SHC	
40 (4.5)	68	20.0	4.3	3.0	4.4	3.1	4.7	3.1	4.8	3.2	5.0	3.2	5.2	3.2	5.5	3.1
	73	22.5	4.2	2.9	4.4	3.0	4.6	3.0	4.8	3.2	4.9	3.2	5.2	3.2	5.4	3.1
	77	25.0	4.2	2.9	4.3	3.0	4.6	3.0	4.7	3.2	4.8	3.2	5.1	3.1	5.4	3.1
	82	27.5	4.1	2.8	4.2	2.9	4.5	2.9	4.6	3.1	4.8	3.1	5.1	3.1	5.3	3.0
	86	30.0	4.1	2.8	4.2	2.9	4.5	2.9	4.6	3.1	4.7	3.1	5.0	3.1	5.3	3.0
	91	32.5	4.0	2.7	4.1	2.8	4.4	2.9	4.5	3.0	4.7	3.0	4.9	3.0	5.2	3.0
	95	35.0	3.9	2.7	4.0	2.8	4.3	2.8	4.5	3.0	4.6	3.0	4.9	3.0	5.2	3.0
	100	37.5	3.8	2.6	3.9	2.7	4.2	2.8	4.4	2.9	4.5	3.0	4.8	3.0	5.1	2.9
	104	40.0	3.7	2.6	3.9	2.7	4.2	2.7	4.3	2.9	4.5	2.9	4.8	2.9	5.1	2.9
110	43.0	3.6	2.5	3.8	2.6	4.1	2.7	4.2	2.8	4.4	2.9	4.7	2.9	5.0	2.8	
63 (7.1)	68	20.0	6.7	4.7	7.0	4.8	7.4	4.8	7.6	5.1	7.8	5.1	8.2	5.0	8.7	5.0
	73	22.5	6.7	4.6	6.9	4.8	7.3	4.8	7.5	5.0	7.7	5.0	8.1	5.0	8.6	4.9
	77	25.0	6.6	4.5	6.8	4.7	7.2	4.7	7.4	5.0	7.6	5.0	8.1	4.9	8.5	4.9
	82	27.5	6.5	4.5	6.7	4.6	7.1	4.6	7.3	4.9	7.5	4.9	8.0	4.9	8.4	4.8
	86	30.0	6.4	4.4	6.6	4.6	7.0	4.6	7.2	4.9	7.5	4.9	7.9	4.8	8.3	4.8
	91	32.5	6.3	4.3	6.5	4.5	6.9	4.5	7.1	4.8	7.4	4.8	7.8	4.8	8.2	4.7
	95	35.0	6.1	4.2	6.4	4.4	6.8	4.4	7.0	4.7	7.3	4.7	7.7	4.7	8.2	4.7
	100	37.5	6.0	4.2	6.2	4.3	6.7	4.4	6.9	4.7	7.2	4.7	7.6	4.7	8.1	4.6
	104	40.0	5.9	4.1	6.1	4.2	6.6	4.3	6.8	4.6	7.1	4.6	7.5	4.6	8.0	4.6
110	43.0	5.7	4.0	6.0	4.1	6.4	4.2	6.7	4.5	6.9	4.5	7.4	4.5	7.9	4.5	
100 (11.2)	68	20.0	10.6	7.2	11.0	7.4	11.6	7.4	12.0	7.8	12.3	7.8	13.0	7.7	13.7	7.6
	73	22.5	10.5	7.1	10.8	7.3	11.5	7.3	11.8	7.8	12.2	7.7	12.9	7.6	13.5	7.5
	77	25.0	10.4	7.0	10.7	7.2	11.4	7.2	11.7	7.7	12.0	7.6	12.7	7.6	13.4	7.4
	82	27.5	10.2	6.9	10.6	7.1	11.2	7.1	11.6	7.6	11.9	7.6	12.6	7.5	13.2	7.4
	86	30.0	10.1	6.8	10.4	7.0	11.1	7.0	11.4	7.5	11.8	7.5	12.4	7.4	13.1	7.3
	91	32.5	9.9	6.7	10.2	6.9	10.9	6.9	11.3	7.4	11.6	7.4	12.3	7.3	13.0	7.2
	95	35.0	9.7	6.5	10.0	6.8	10.7	6.8	11.1	7.3	11.4	7.3	12.2	7.2	12.9	7.1
	100	37.5	9.5	6.4	9.8	6.6	10.6	6.7	10.9	7.2	11.3	7.2	12.0	7.1	12.7	7.1
	104	40.0	9.3	6.2	9.6	6.5	10.4	6.6	10.8	7.0	11.1	7.1	11.9	7.1	12.6	7.0
110	43.0	9.0	6.1	9.4	6.4	10.2	6.4	10.5	6.9	10.9	6.9	11.6	6.9	12.4	6.9	
125 (14.0)	68	20.0	13.3	9.0	13.7	9.2	14.6	9.2	15.0	9.8	15.4	9.8	16.2	9.6	17.1	9.5
	73	22.5	13.1	8.8	13.5	9.1	14.4	9.1	14.8	9.7	15.2	9.7	16.1	9.5	16.9	9.4
	77	25.0	13.0	8.7	13.4	9.0	14.2	9.0	14.6	9.6	15.1	9.5	15.9	9.4	16.7	9.3
	82	27.5	12.8	8.6	13.2	8.9	14.0	8.9	14.5	9.5	14.9	9.4	15.7	9.3	16.6	9.2
	86	30.0	12.6	8.5	13.0	8.8	13.9	8.8	14.3	9.3	14.7	9.3	15.5	9.2	16.4	9.1
	91	32.5	12.3	8.3	12.8	8.6	13.6	8.6	14.1	9.2	14.5	9.2	15.4	9.1	16.2	9.0
	95	35.0	12.1	8.1	12.5	8.4	13.4	8.5	13.9	9.1	14.3	9.1	15.2	9.0	16.1	8.9
	100	37.5	11.8	8.0	12.3	8.3	13.2	8.4	13.7	8.9	14.1	8.9	15.0	8.9	15.9	8.8
	104	40.0	11.6	7.8	12.0	8.1	13.0	8.2	13.4	8.8	13.9	8.8	14.8	8.8	15.8	8.7
110	43.0	11.3	7.6	11.8	7.9	12.7	8.0	13.2	8.6	13.6	8.6	14.6	8.6	15.5	8.6	

kcal/h = kW x 860, Btu/h = kW x 3,412

2. CAPACITY TABLES

R410A Data G2

2-5b. Heating capacity in combination with PUMY-P100,125,140YHM

PCFY-P-VGM-E

SHC : Sensible Heat Capacity(kW)

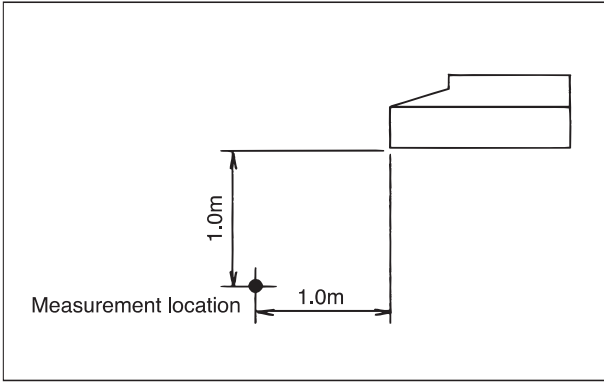
Model size (Rated kW)	Outdoor air temp.		Indoor air temp.			
			59 °FDB	68 °FDB	77 °FDB	81 °FDB
	°FWB	°CWB	15.0°CDB	20.0°CDB	25.0°CDB	27.0°CDB
40 (4.5)	-4	-20.0	3.3	3.2	3.0	3.0
	5	-15.0	3.5	3.4	3.3	3.2
	14	-10.0	3.8	3.7	3.6	3.5
	23	-5.0	4.3	4.2	4.0	3.9
	32	0.0	4.7	4.6	4.4	4.4
	37	2.5	5.0	4.8	4.7	4.6
	43	6.0	5.1	5.0	5.0	4.9
	46	7.5	5.4	5.3	5.0	4.9
	50	10.0	5.7	5.5	5.0	4.9
	55	12.5	5.9	5.8	5.0	4.9
60	15.5	6.1	5.8	5.0	4.9	
63 (7.1)	-4	-20.0	5.2	5.0	4.8	4.7
	5	-15.0	5.6	5.4	5.2	5.1
	14	-10.0	6.0	5.8	5.7	5.6
	23	-5.0	6.8	6.6	6.3	6.2
	32	0.0	7.5	7.4	7.0	7.0
	37	2.5	7.9	7.7	7.4	7.4
	43	6.0	8.2	8.0	7.9	7.8
	46	7.5	8.6	8.5	7.9	7.8
	50	10.0	9.0	8.8	7.9	7.8
	55	12.5	9.4	9.2	7.9	7.8
60	15.5	9.7	9.2	7.9	7.8	

Model size (Rated kW)	Outdoor air temp.		Indoor air temp.			
			59 °FDB	68 °FDB	77 °FDB	81 °FDB
	°FWB	°CWB	15.0°CDB	20.0°CDB	25.0°CDB	27.0°CDB
100 (11.2)	-4	-20.0	8.1	7.9	7.5	7.4
	5	-15.0	8.8	8.4	8.1	8.0
	14	-10.0	9.4	9.1	8.9	8.8
	23	-5.0	10.6	10.4	9.9	9.8
	32	0.0	11.8	11.5	11.0	10.9
	37	2.5	12.4	12.0	11.6	11.5
	43	6.0	12.8	12.5	12.4	12.1
	46	7.5	13.5	13.3	12.4	12.1
	50	10.0	14.1	13.8	12.4	12.1
	55	12.5	14.8	14.4	12.4	12.1
60	15.5	15.1	14.4	12.4	12.1	
125 (14.0)	-4	-20.0	10.4	10.1	9.6	9.4
	5	-15.0	11.2	10.7	10.4	10.2
	14	-10.0	12.0	11.7	11.4	11.2
	23	-5.0	13.6	13.3	12.6	12.5
	32	0.0	15.0	14.7	14.1	13.9
	37	2.5	15.8	15.4	14.9	14.7
	43	6.0	16.3	16.0	15.8	15.5
	46	7.5	17.3	17.0	15.8	15.5
	50	10.0	18.1	17.6	15.8	15.5
	55	12.5	18.9	18.4	15.8	15.5
60	15.5	19.4	18.4	15.8	15.5	

kcal/h = kW x 860, Btu/h = kW x 3,412

3-1. Sound levels

PCFY-P-VGM-E

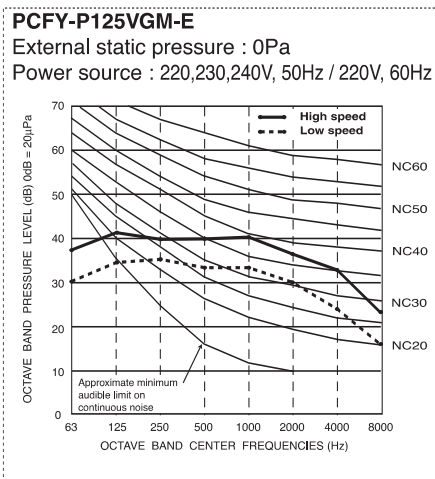
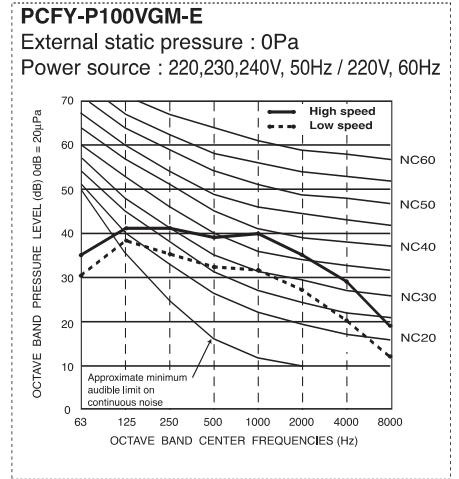
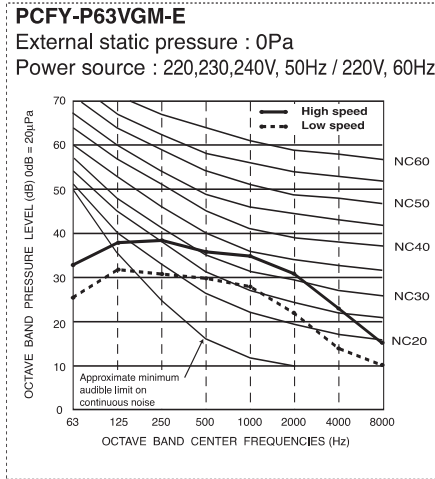
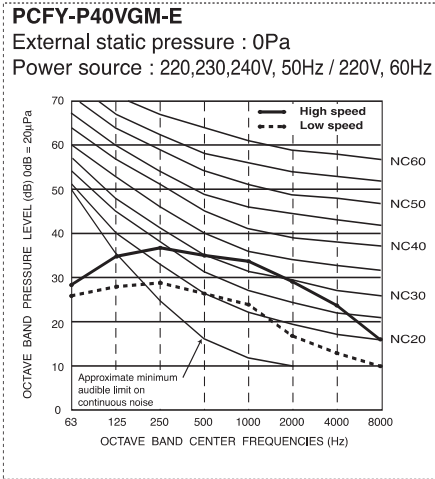


* Measured in anechoic room.

Sound level at anechoic room : Low-Middle2-Middle1-High

	Sound level dB (A)
PCFY-P40VGM-E	29-33-36-38
PCFY-P63VGM-E	32-34-37-39
PCFY-P100VGM-E	36-38-41-43
PCFY-P125VGM-E	37-39-42-44

3-2. NC curves

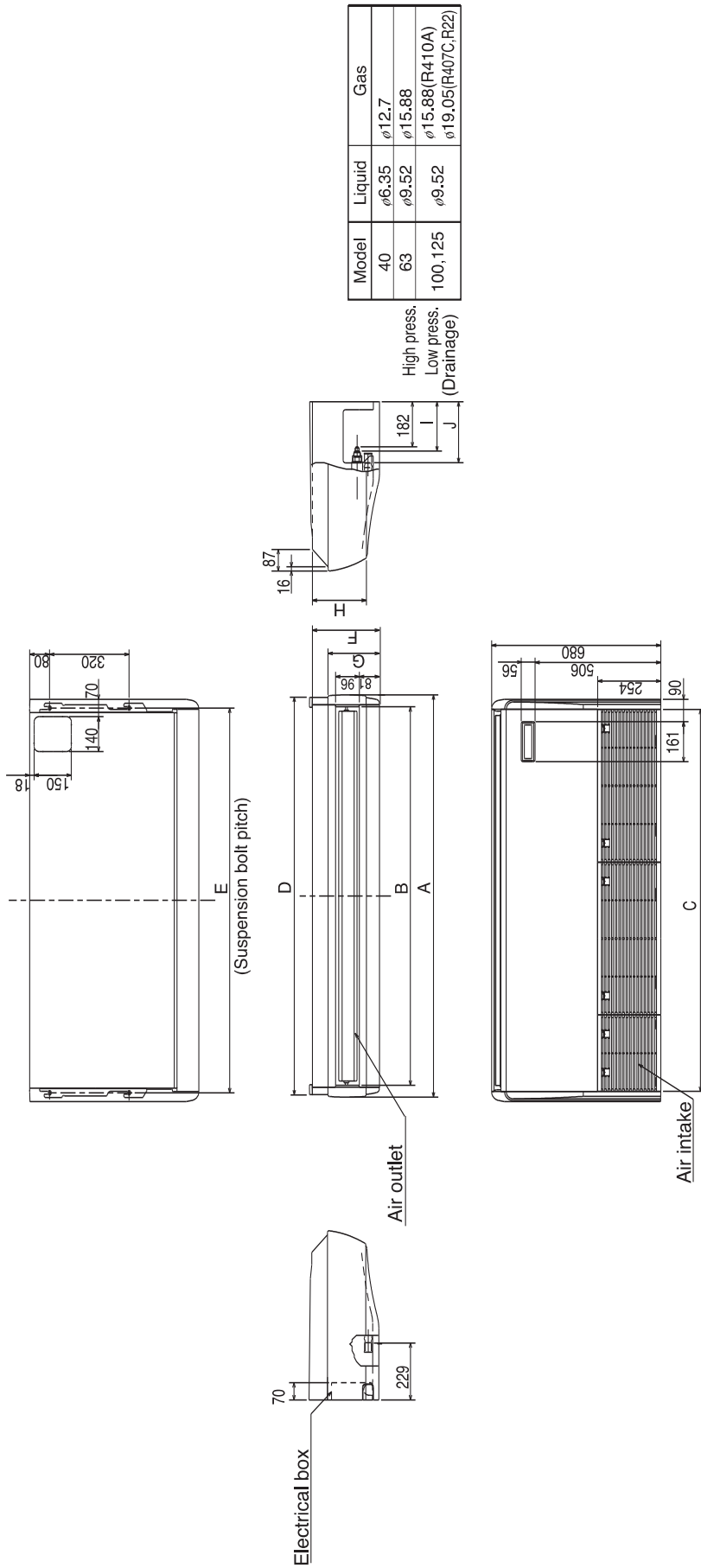


A
B
C
D
E
F
G
H
I
J
V₁
V₂
BC

4. EXTERNAL DIMENSIONS

PCFY-P40,63,100,125VGM-E

Drw. : IU-RG01-N633
Unit : mm



Model	Liquid	Gas
40	φ6.35	φ12.7
63	φ9.52	φ15.88
100,125	φ9.52	φ15.88(R410A) φ19.05(R407C,R22)

High press.
Low press.
(Drainage)

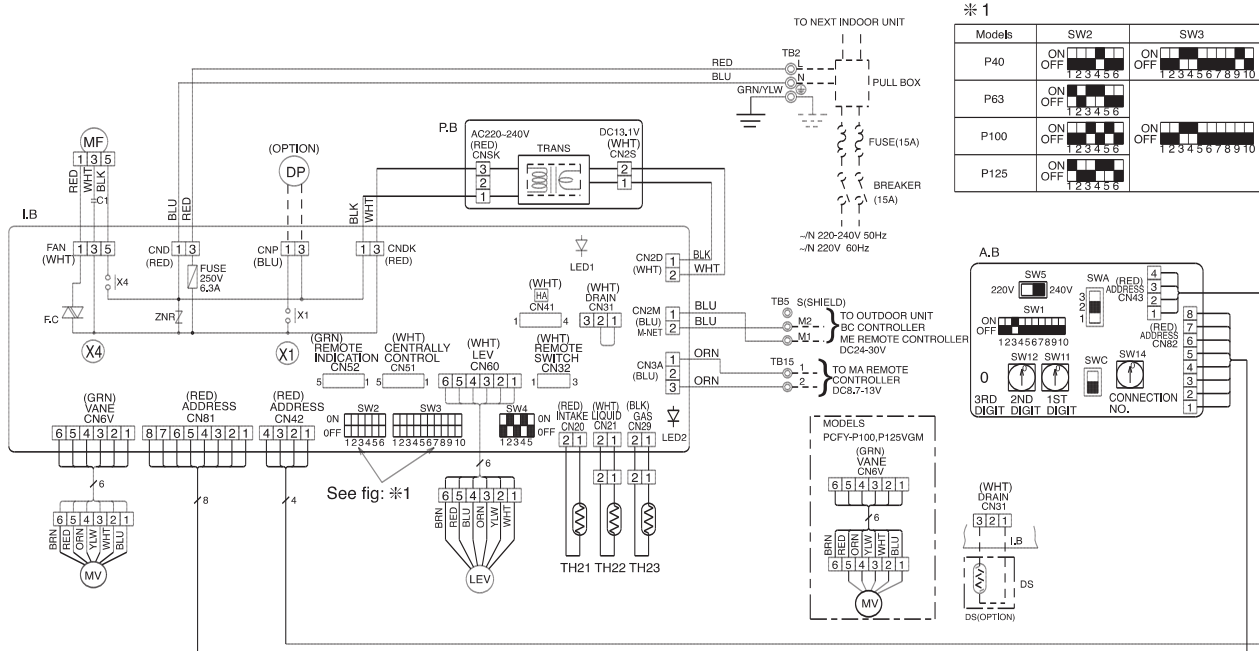
Model	A	B	C	D	E	F	G	H	I	J
PCFY -P40VGM-E	1,000	904	918	983	933	210	180	157	201	241
PCFY -P63VGM-E	1,310	1,214	1,228	1,290	1,240	210	180	157	201	241
PCFY -P100VGM-E	1,310	1,214	1,228	1,290	1,240	270	207	217	198	245
PCFY -P125VGM-E	1,620	1,524	1,535	1,600	1,547	270	207	217	198	245

PCFY-P40,63,100,125VGM-E

Draw. : IU-RG79-Y016

<SYMBOL EXPLANATION>

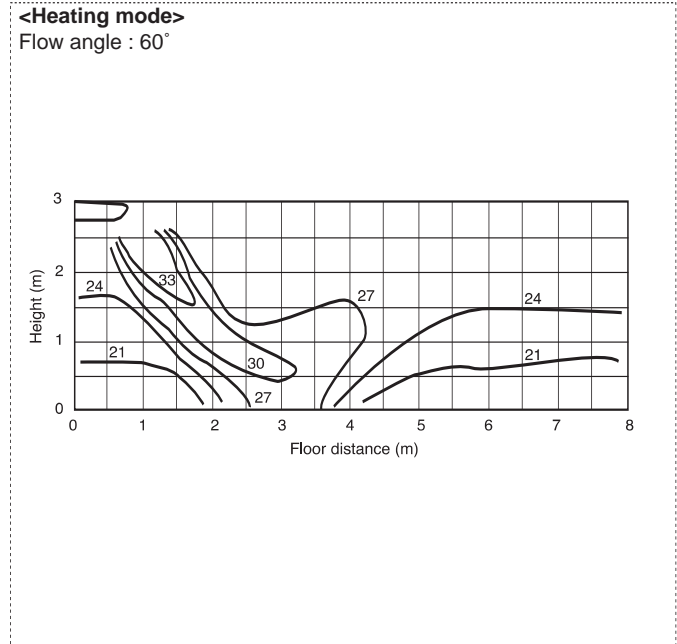
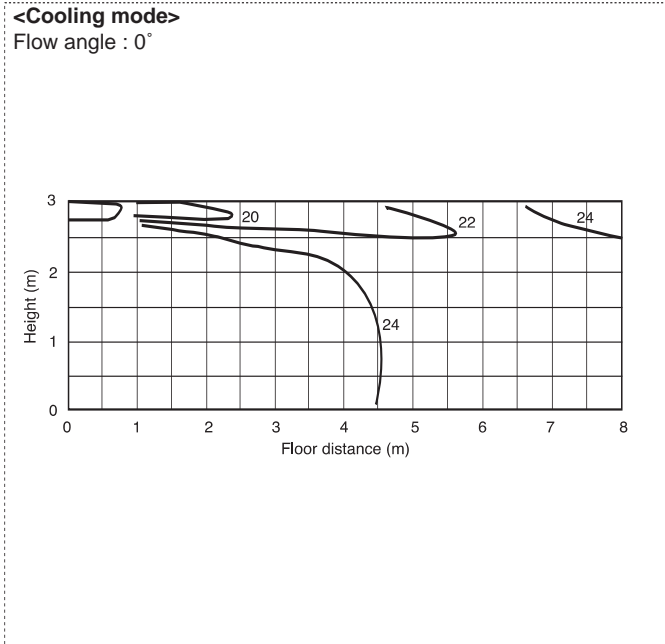
Symbol	Name	Symbol	Name	Symbol	Name	
I.B	Indoor controller board	C1	Capacitor(fan motor)	A.B	Circuit board	
CN32	Connector	LEV	Linear expansion valve	SW1	Mode selection	
CN51		MF	Fan motor(with inner thermo)	SW5	Voltage selection	
CN52		MV	Vane motor	SW11	Address setting 1st digit	
CNP		TH21	Thermistor	SW12	Address setting 2nd digit	
F.C	Fan phase control	TH22		Pipe temp. detection / Liquid (0°C/15k,25°C/5.4k)	SW14	Connection No.
FUSE	Fuse (6.3A)	TH23			Pipe temp. detection / Gas (0°C/15k,25°C/5.4k)	SWA
SW2	Switch	TH23	Terminal block	SWC	Option selector	
SW3		Capacity code		TB2	Power supply	
SW4		Mode selection		TB5	Transmission	
SW3	Switch	TB15	MA remote controller	Led on indoor board for service		
SW4		Model selection	DP	Drain-up machine (OPTION)	Mark	Meaning
X1	Aux.Relay	DS	Drain sensor (OPTION)	LED1	Main power supply	
X4	Varistor				Power supply for MA Remote controller	
ZNR					LED2	Power supply for MA Remote controller
P.B	Indoor power board				Function	
					Main power supply (indoor unit:220-240V) power on → lamp is lit	
					Power supply for MA Remote controller power on → lamp is lit	



Note

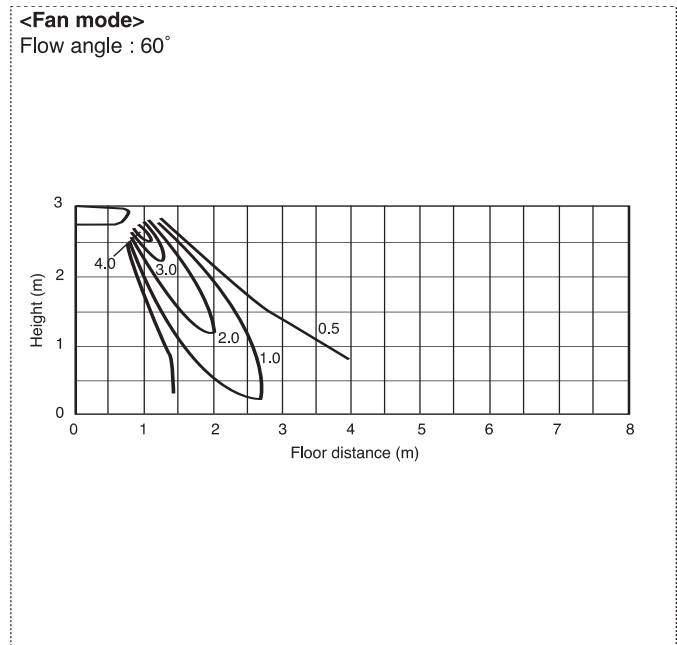
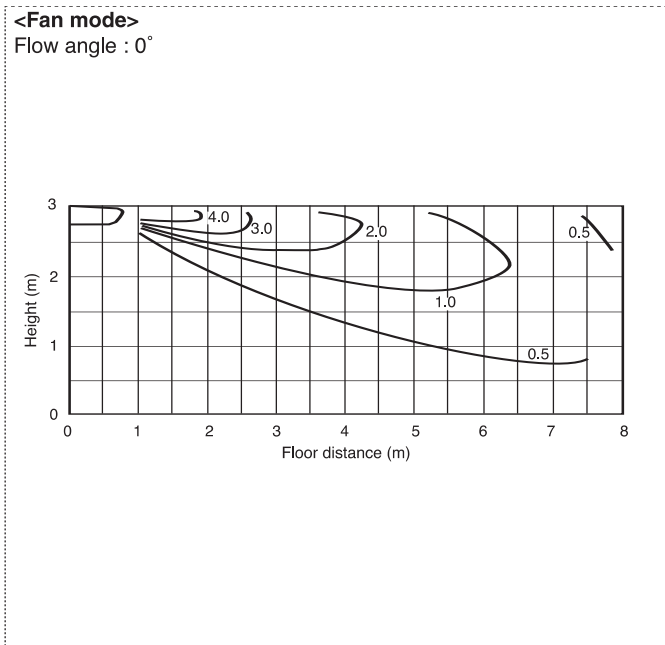
- At servicing for outdoor unit, always follow the wiring diagram of outdoor unit.
- In case of using MA Remote controller, please connect to TB15.
(Remote controller wire is non-polar.)
- In case of using M-NET, please connect to TB5. (Transmission line is non-polar.)
- Symbol[S] of TB5 is the shield wire connection.
- Symbols used in wiring diagram above are,
 ○: Terminal block, □: Connector.
- The setting of the SW2 dip switches differs in the capacity. For the detail, refer to the fig: ※1.
- Please set the switch SW5 according to the power supply voltage.
 Set SW5 to 240V side when the power supply is 230 and 240 volts.
 When the power supply is 220 volts, set SW5 to 220V side.
- Fasten terminal of the terminal board "TB5" equips lock system.
 To remove the fasten terminal, pull it while pressing the protruding portion (locking lever) of the terminal.
 Connection of the fasten terminal, protruding portion should face upward.

6-1. Temperature distributions



Note : These figures show typical temperature distributions in the conditions above. In the actual installation, they may differ from these figures under the influence of air temperature conditions, ceiling height, cooling/heating load, obstacles, etc.

6-2. Airflow distributions



Note : These figures show typical airflow distributions in the conditions above. In the actual installation, they may differ from these figures under the influence of air temperature conditions, ceiling height, cooling/heating load, obstacles, etc.